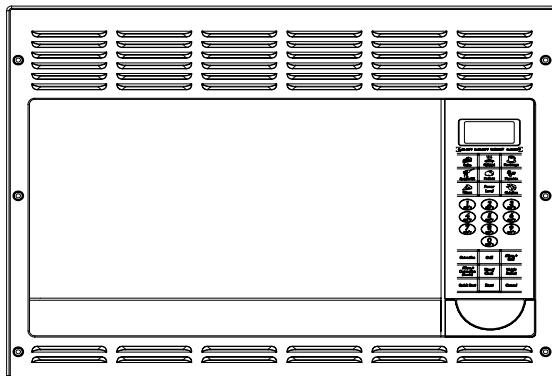




Model: DCMC11B.F

CONVECTION MICROWAVE OVEN



Microwave Oven

User's manual

Please read these instructions carefully before installing and operating the oven.

Record in the space below the SERIAL NO. found on the nameplate on your oven and retain this information for future reference.

SERIAL NO.

Please save sales receipt for warranty.

Document Number: P0000047975

Release Date: Jan 9, 2013

# PRECAUTIONS TO AVOID POSSIBLE EXPOSURE TO EXCESSIVE MICROWAVE ENERGY

Do not attempt to operate this oven with the door-open since open-door operation can result in harmful exposure to microwave energy. It is important not to defeat or tamper with the safety interlocks.

Do not place any object between the oven front face and the door or allow soil or cleaner residue to accumulate on sealing surfaces.

Do not operate the oven if it is damaged. It is particularly important that the oven door close properly and that there is no damage to the:

- a. Door (bent),
- b. Hinges and latches (broken or loosened),
- c. Door seals and sealing surfaces.

The oven should not be adjusted or repaired by anyone except properly qualified service personnel.

## CONTENT

PRECAUTIONS TO AVOID POSSIBLE EXPOSURE TO EXCESSIVE MICROWAVE ENERGY .....	1
IMPORTANT SAFETY INSTRUCTIONS.....	2
INSTALLATION GUIDE.....	4
GROUNDING INSTRUCTIONS.....	4
UTENSILS GUIDE .....	5
COOKING TECHNIQUES.....	6
SPECIFICATIONS.....	7
PART NAMES .....	8
CONTROL PANEL .....	9
HOW TO SET THE OVEN CONTROLS .....	10
Setting the clock.....	10
Microwave cooking.....	10
Grill cooking.....	11
Microwave+Grill.....	11
Convection .....	11
Micro+Convection .....	12
Weight defrost .....	12
Timer .....	12
Quick start .....	13
Multi-stage Cooking.....	13
Menu Cook.....	13
OTHER CONVENIENT FEATURE.....	14
CLEANING AND CARE.....	15

# IMPORTANT SAFETY INSTRUCTIONS

When using electrical appliances, basic safety precautions should be followed, including the following:

**WARNING** - To reduce the risk of burns, electric shock, fire, injury to persons or exposure to excessive microwave energy:

1. Read all instructions before using the appliance.
2. Read and follow the specific "PRECAUTIONS TO AVOID POSSIBLE EXPOSURE TO EXCESSIVE MICROWAVE ENERGY" on page 1.
3. This appliance must be grounded. Connect only to properly grounded outlet. See "GROUNDING INSTRUCTIONS " on page 4.
4. Install or locate this appliance only in accordance with the provided installation instructions.
5. Some products such as whole eggs and sealed containers -for example, closed glass jars- are able to explode and should not be heated in this oven.
6. Use this appliance only for its intended use as described in this manual. Do not use corrosive chemicals or vapors in this appliance. This type of oven is specifically designed to heat, cook, or dry food. It is not designed for industrial or laboratory use.
7. As with any appliance, close supervision is necessary when used by children.
8. To reduce the risk of fire in the oven cavity:
  - a. Do not overcook food. Carefully attend appliance when paper, plastic, or other combustible materials are placed inside the oven to facilitate cooking.
  - b. Remove wire twist-ties from paper or plastic bags before placing bag in oven.
  - c. If materials inside the oven should ignite, keep oven door closed, turn oven off, and disconnect the power cord or shut off power at the fuse or circuit breaker panel.
  - d. Do not use the cavity for storage purposes. Do not leave paper products, cooking utensils or food in the cavity when not in use.
9. Liquids, such as water, coffee, or tea are able to be overheated beyond the boiling point without appearing to be boiling due to surface tension of the liquid. Visible bubbling or boiling when the container is removed from the microwave oven is not always present. THIS COULD RESULT IN VERY HOT LIQUIDS SUDDENLY BOILING OVER WHEN THE CONTAINER IS DISTURBED OR A UTENSIL IS INSERTED INTO THE LIQUID. To reduce the risk of injury to person:
  - a. Do not overheat the liquid.
  - b. Stir the liquid both before and halfway through heating it.
  - c. Do not use straight-sided containers with narrow necks.
  - d. After heating, allow the container to stand in the microwave oven for a short time before removing the container.
  - e. Use extreme care when inserting a spoon or other utensil into the container.
10. Do not heat oil or fat for deep-frying. It is difficult to control the temperature of oil in microwave oven.
11. Pierce foods with heavy skins such as potatoes, whole squash, apples and chestnuts before cooking.
12. The contents of feeding bottles and baby jars should be stirred or shaken and the temperature should be checked before serving in order to avoid burns.
13. Cooking utensils may become hot because of heat transferred from the heated food. Potholders may be needed to handle the utensil.
14. Do not cover or block any openings on the appliance.

**2**

**SAVE THESE INSTRUCTIONS**

15. Do not store or use this appliance outdoors. Do not use this product near water, for example, near a kitchen sink, in a wet basement, near a swimming pool, or similar locations.
16. Do not operate this appliance if it has a damaged cord or a plug, if it is not working properly or if it has been damaged or dropped.
17. Do not immerse cord or plug in water. Keep cord away from heated surface. Do not let cord hang over edge of table or counter.
18. Use only thermometers, which are specifically designed for use in microwave ovens.
19. Do not operate any heating or cooking appliance beneath this appliance.
20. Be certain the glass tray and roller rings are in place when you operate the oven.
21. This appliance should be serviced only by qualified service personnel, contact nearest authorized service facility for examination, repair, or adjustment.
22. When cleaning surfaces of door and oven that comes together on closing the door, use only mild, nonabrasive soaps, or detergents applied with a sponge or soft cloth.
23. Do not mount unit over or near any portion of a heating or cooking appliance.
24. Do not mount over a sink.
25. Do not store anything directly on top of the appliance surface when the appliance is in operation.

**3**

**SAVE THESE INSTRUCTIONS**

# INSTALLATION GUIDE

1. Make sure that all the packing materials are removed from the inside of the door.
2. Check the oven for any damage, such as misaligned or bent door, damaged door seals and sealing surface, broken or loose door hinges and latches and dents inside the cavity or on the door. If there is any damage, do not operate the oven but contact qualified service personnel.
3. This microwave oven must be placed on a flat, stable surface to hold its weight and the heaviest food likely to be cooked in the oven.
4. Do not place the oven where heat, moisture, or high humidity are generated, or near combustible materials.
5. For correct operation, the oven must have sufficient airflow. Allow 20cm of space above the oven, 10cm at back and 5cm at both sides. Do not cover or block any openings on the appliance. Do not remove feet on which oven stands.
6. Do not operate the oven without glass tray, roller support, and shaft in their proper positions.
7. Make sure that the power supply cord is undamaged and does not run under the oven or over any hot or sharp surface.
8. The socket must be readily accessible so that it can be easily unplugged in an emergency.

## GROUNDING INSTRUCTIONS

This appliance must be grounded. In the event of an electrical short circuit, grounding reduces risk of electric shock by providing an escape wire for the electric current.

**WARNING** Improper use of the grounding plug can result in a risk of electric shock.

Consult a qualified electrician or serviceman if the grounding instructions are not completely understood, or if doubt exists as to whether the appliance is properly grounded, and either:

- 1) If it is necessary to use an extension cord, use only a 3-wire extension cord that has a 3-blade grounding plug and a 3-slot receptacle that will accept the plug on the appliance. The marked rating of the extension cord shall be equal to or greater than the electrical rating of the appliance, or
- 2) Do not use an extension cord. If the power supply cord is too short, have a qualified electrician or serviceman install an outlet near the appliance.

### ELECTRICAL REQUIREMENTS

The electrical requirements are a 120 volt 60 Hz, AC only, 20 amp. It is recommended that a separate circuit serving only the oven be provided. The oven is equipped with a 3-prong grounding plug. It must be plugged into a wall receptacle that is properly installed and grounded.

#### **Power Supply Cord**

1. A short power supply cord is provided to reduce the risks resulting from becoming entangled in or tripping over a longer cord.
2. Longer cord sets or extension cords are available and may be used if care is exercised in their use.

3. If long cord or extension cord is used:

- a) The marked electrical rating of the cord set or extension cord should be at least as great as the electrical rating of the appliance.
- b) The extension cord must be a grounding-type 3-wire cord, and The longer cord should be arranged so that it will not drape over the counter top or table top where it can be pulled on by children or tripped over unintentionally.

Notes:

If you have any questions about the grounding or electrical instructions, consult a qualified electrician or service person.

Neither the manufacturer nor the dealer can accept any liability for damage to the oven or personal injury resulting from failure to observe the electrical connection procedures.

### Radio or TV Interference

Should there be any interference caused by the microwave oven to your radio or TV, check that the microwave oven is on a different circuit, relocated the radio or TV as far away from the oven as feasible or check position and signal of receiving antenna.

This section lists which utensils can be used in the microwave, which ones have limited use for short periods, and which ones should not be used in the microwave.

## UTENSILS GUIDE



### RECOMMENDED

**Microwave browning dish** — Use to brown the exterior of small items such as steaks, chops, or pancakes. Follow the directions provided with your browning dish.

**Microwaveable plastic wrap** — Use to retain steam. Leave a small opening for some steam to escape and avoid placing it directly on the food.

**Paper towels and napkins** — Use for short-term heating and covering; these absorb excess moisture and prevent spattering. Do not use recycled paper towels, which may contain metal and could ignite.

**Glass and glass-ceramic bowls and dishes** — Use for heating or cooking.

**Paper plates and cups** — Use for short-term heating at low temperatures. Do not use recycled paper, which may contain metal and could ignite.

**Wax paper** — Use as a cover to prevent spattering.

**Thermometers** — Use only those labeled "Microwave Safe" and follow all directions. Check the food in several places. Conventional thermometers may be used on microwave food once the food has been removed from the oven.

### LIMITED USE

**Aluminum foil** — Use narrow strips of foil to prevent overcooking of exposed areas. Using too much foil can damage your oven, so be careful. You should keep distance of 1 inch (2.54cm) between aluminum foil and cavity.

**Ceramic, porcelain, and stoneware**— Use these if they are labeled "Microwave Safe". If they are not labeled, test them to make sure they can be used safely.

**Plastic** — Use only if labeled "Microwave Safe". Other plastics can melt.

### **✘ NOT RECOMMENDED**

**Glass jars and bottles** — Regular glass is too thin to be used in a microwave. It can shatter and cause damage and injury.

**Paper bags** — These are a fire hazard, except for popcorn bags that are designed for microwave use.

**Styrofoam plates and cups** — These can melt and leave an unhealthy residue on food.

**Plastic storage and food containers** — Containers such as margarine tubs can melt in the microwave.

**Metal utensils** — These can damage your oven. Remove all metal before cooking.

#### **Note:**

Should you wish to check if a dish is safe for microwaving, place the empty dish in the oven and microwave on HIGH for 30 seconds. A dish which becomes very hot should not be used.

## **COOKING TECHNIQUES**

Your microwave makes cooking easier than conventional cooking, provided you keep these considerations in mind:

### **STIRRING**

---

Stir foods such as casseroles and vegetables while cooking to distribute heat evenly. Food at the outside of the dish absorbs more energy and heats more quickly, so stir from the outside to the center. The oven will turn off when you open the door to stir your food.

### **ARRANGEMENT**

---

Arrange unevenly shaped foods, such as chicken pieces or chops, with the thicker, meatier parts toward the outside of the turntable where they receive more microwave energy. To prevent overcooking, place delicate areas, such as asparagus tips, toward the center of the turntable.

### **SHIELDING**

---

Shield food with narrow strips of aluminum foil to prevent overcooking. Areas that need shielding include poultry wing tips, the ends of poultry legs, and corners of square baking dishes. Use only small amounts of aluminum foil. Larger amounts can damage your oven.

### **TURNING**

---

Turn foods over midway through cooking to expose all parts to microwave energy. This is especially important with large foods such as roasts.

## STANDING

---

Foods cooked in the microwave build up internal heat and continue to cook for a few minutes after heating stops. Let foods stand to complete cooking, especially foods such as cakes and whole vegetables. Roasts need this time to complete cooking in the center without overcooking the outer areas. All liquids, such as soup or hot chocolate, should be shaken or stirred when cooking is complete. Let liquids stand a moment before serving. When heating baby food, stir well at removal and test the temperature before serving.

## ADDING MOISTURE

---

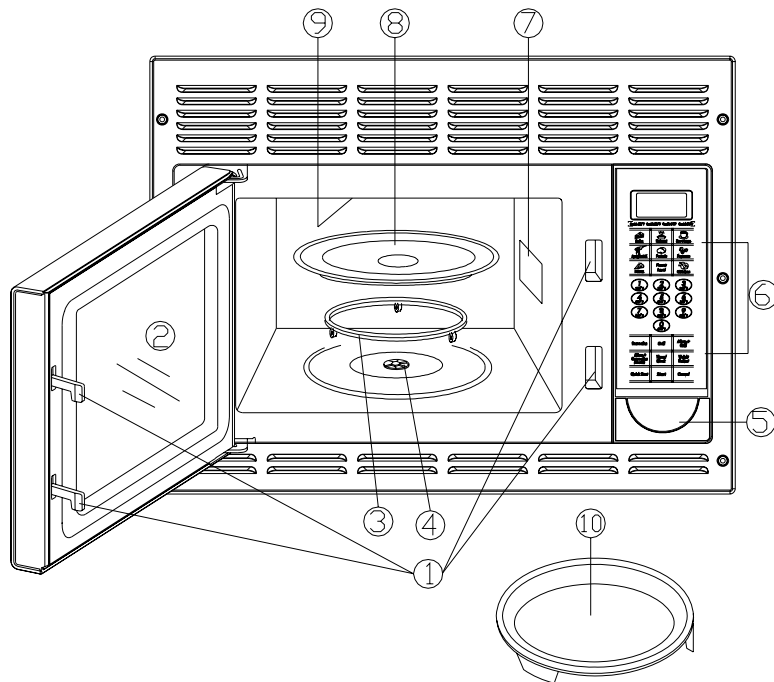
Microwave energy is attracted to water molecules. Food that is uneven in moisture content should be covered or allowed to stand so that the heat disperses evenly. Add a small amount of water to dry food to help it cook

# SPECIFICATIONS

<b>Power Consumption:</b>	<b>120V~60Hz, 1450W (Microwave)</b>
	<b>1450W (Convection)</b>
	<b>1050W (Grill)</b>
<b>Output:</b>	<b>1000W</b>
<b>Operation Frequency:</b>	<b>2450MHz</b>
<b>Outside Dimensions(H×W×D):</b>	<b>12 7/8×21 1/4×15 11/16in.</b>
<b>Oven Cavity Dimensions(H×W×D):</b>	<b>9 7/16×13 15/16×14 1/8 in.</b>
<b>Oven Capacity:</b>	<b>1.1 cu.ft</b>
<b>Cooking Uniformity:</b>	<b>Turntable System</b>
<b>Net Weight:</b>	<b>Approx. 41 lb.</b>

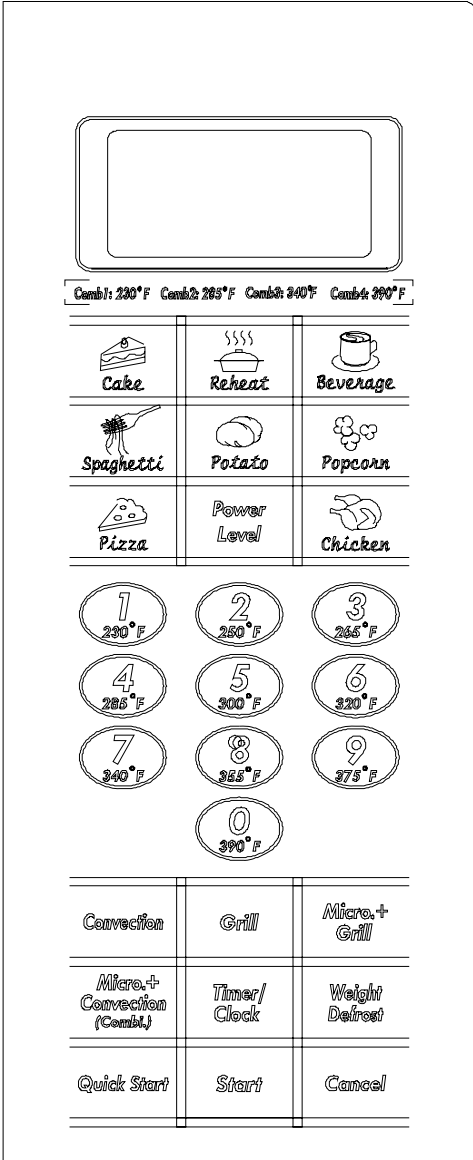


# PART NAMES



1. Door Safety Lock System
2. Oven Window
3. Roller Ring
4. Shaft
5. Door Release Button
6. Control Panel
7. Wave Guide(Please do not remove the mica plate covering the wave guide)
8. Glass Tray
9. Grill Heater
10. Baked Place

# CONTROL PANEL



**DISPLAY WINDOW**

Use to indicate clock, cooking time, etc.

**QUICK COOK BUTTONS:**

CAKE, POTATO, POPCORN, BEVERAGE, PIZZA, CHICKEN, REHEAT, SPAGHETTI

**POWER LEVEL**

Press to select microwave power level.

**NUMBER PADS**

Use to enter clock, cooking time, temperature, etc..

**CONVECTION**

Press to program convection cooking.

**GRILL**

Press to set a grill-cooking program.

**MICRO + GRILL**

Press to select one of two combination cooking settings.

**MICRO + CONVECTION (Combi.)**

Press to select one of four combination cooking settings.

**TIMER/CLOCK**

Use to set the clock and the oven timer.

**WEIGHT DEFROST**

Touch to defrost food by weight.

**QUICK START**

Touch to start the oven quickly at full power.

**START**

Press to start cooking program.

**CANCEL**

Touch to stop cooking program or clear all previous settings before cooking starts.

# HOW TO SET THE OVEN CONTROLS

Each time a button is touched, a beep will sound to acknowledge the touch.

## SETTING THE CLOCK

When the oven is first plugged in, you can set the clock time. To set the clock time later,

1. Press and hold TIMER/CLOCK for 3 sec to set 24 hour clock, or press TIMER/CLOCK pad again to set 12 hour clock.
2. Use the numeric pads to enter clock time
3. Press TIMER/CLOCK to confirm.

NOTE: This is a 12 and 24 hour clock.

## MICROWAVE COOKING

The longest cooking time is 99 minutes and 99 seconds.

Microwave cooking allows you to customize cooking power and time. First, select a power level by pressing the POWER LEVEL pad (see the table below). Then set the cooking time using the numeric pads, before pressing the START pad.

Press POWER LEVEL pad to select cooking power		
Press	Power	Description
once	100%(P-HI)	High
twice	90%(P-90)	
3 times	80%(P-80)	
4 times	70%(P-70)	Medium High
5 times	60%(P-60)	
6 times	50%(P-50)	Medium
7 times	40%(P-40)	
8 times	30%(P-30)	Med. Low
9 times	20%(P-20)	
10 times	10%(P-10)	Low
11 times	0% (P-00)	

Suppose you want to cook for 5 minute at 60% power level.

1. Press POWER LEVEL button to set 60% power.
2. Press number pads to enter cooking time until the correct cooking time (5:00) is displayed.
3. Press START pad.

NOTE:

1. If you want to temporarily stop a cooking session, press the CANCEL pad once and then you can start the cooking again by pressing START; or press the CANCEL twice to cancel the cooking program altogether.
2. After cooking, the system will beep and End is displayed. Before starting another cooking session, press CANCEL pad to clear the display and reset the system.

## GRILL COOKING

---

The longest cooking time is 99 minutes and 99 seconds.

Grill cooking is particularly useful for thin slices of meat, steaks, chops, kebabs, sausages and pieces of chicken. It is also suitable for hot sandwiches and au gratin dishes.

Suppose you want to program grill cooking for 12 minutes.

1. Press the CANCEL pad.
2. Press GRILL button.
3. Use the number pads to enter cooking time.
4. Press START button.

## MICROWAVE+GRILL

---

The longest cooking time is 99 minutes and 99 seconds.

This feature allows you to combine grill and microwave cooking on two different settings. First, press this button once or twice to choose a proper combination setting, then, enter the desired cooking time. After you have pressed the START button, the system begins to count down.

### COMBINATION 1

30% of time for microwave cooking, 70% for grill cooking. Use for fish, potatoes or au gratin.

Suppose you want to set combination 1 cooking for 25 minutes.

1. Press MICRO+GRILL button once.
2. Use the number pads to enter 25:00.
3. Press START button.

### COMBINATION 2

55% of time for microwave cooking, 45% for grill cooking. Use for pudding, omelets, baked potatoes and poultry.

Suppose you want to set combination 2 cooking for 12 minutes.

1. Press MICRO+GRILL button twice.
2. Use the number pads to enter 12:00.
3. Press START button.

## CONVECTION

---

The longest cooking time is 9 hours and 99 minutes.

During convection cooking, hot air is circulated throughout the oven cavity to make crisp foods quickly and evenly. This oven can be programmed for ten different cooking temperatures. You can press CONVECTION to check cooking temperature during cooking.

### To Cook with Convection

To cook with convection, press CONVECTION pad once and then press the number pads to enter the desired convection temperature.

Suppose you want to cook at 320°F for 40 minutes.

1. Press CONVECTION pad
2. Press number pad 6.
3. Press number pads to enter cooking time.
4. Press START pad.

### To Preheat and Cook with Convection

Your oven can be programmed to combine preheating with convection cooking operations.

Suppose you want to preheat to 340°F and then cook 30 minutes.

1. Press CONVECTION.
2. Press number pad 7 to indicate convection temperature 340°F.
3. Press START button. "PREH" will flicker in the display until it reaches the designated temperature.
4. Open the door and place container of food at the center of the turntable.
5. Use the number pads to enter cooking time.
6. Press START button

### MICRO+CONVECTION

---

The longest cooking time is 9 hours and 99 minutes.

This oven has four pre-programmed settings that make it easy to cook with both convection heat and microwave automatically.

	Number	Temperature (°F)
COMB1	1	230
COMB2	2	285
COMB3	3	340
COMB4	4	390

Suppose you want to bake food for 24 minutes on COMB3.

1. Press MICRO+CONVECTION button once.
2. Use the number pads 1-4 to enter convection temperature. In this case, press number pad 3
3. Use the number pads to enter cooking time as desired
4. Press START button to start.

NOTE: You can check the convection temperature by pressing the MICRO+CONVECTION button during cooking.

### WEIGHT DEFROST

---

The oven can defrost food based on the weight you entered. You can set the weight from 100g to 1800g.

Suppose you want to defrost 200g frozen meat.

1. Press WEIGHT DEFROST button to choose 200g.
2. Press START button.

NOTE: Defrost power divides into three stages, each stage needs 1/3 time, after defrosting 2/3 time the system will sound to remind you to turn over the food and pause until you press the button START to enter into the next defrosting stage, and the system resume .

### TIMER

---

To use the timer feature, when you need to be reminded of the cooking or some other things,

1. Press TIMER/CLOCK button.
2. Use the number pads to enter the time to be counted down.
3. Press START button.

NOTE:

1. When the countdown ends, the system buzzer will beep. Time countdown can be seen in display for 5 seconds before clock or cooking time is returned to exhibit.
2. The longest time you can set is 99 minutes and 99 seconds.
3. You can press TIMER/CLOCK to check the time counted down, then press CANCEL pad to cancel the TIMER.

## QUICK START

---

Use this feature to program the oven to microwave food at 100% power conveniently.

Press QUICK START button in quick succession to set the cooking time. The oven will auto-start immediately. The longest time you can set is 10 minutes.

## MULTI-STAGE COOKING

---

Your oven can be programmed for up to 3 automatic cooking sequences.

Suppose you want to set the following cooking program.

Microwave cooking



Convection cooking

1. Press POWER LEVEL button to set power level.
2. Use the number pads to enter cooking time.
3. Press CONVECTION pad once.
4. Use the number pads to enter convection temperature.
5. Use the number pads to enter convection cooking time.
6. Press START button.

NOTE: WEIGHT DEFROST and MENU COOK cannot be set in a multi-stage cooking program.

## MENU COOK

---

For food or the following cooking mode, it is not necessary to program the time and the cooking power. It is sufficient to indicate the type of food that you want to cook as well as the weight of this food.

1. Press the individual icon pads once or repeatedly to select the weight or the amount of food to be cooked.
2. Press START.

Auto Cook Code/Menu

PRESS FOOD ICONS	Notes
1.Cake (475g)	1. The user is required to set weight or the amount, then the system will set the needed time accordingly.
2.Reheat (g)	
3.Beverage(200ml/cup)	2. For food 8 (chicken), beeps can be heard during cooking to remind user to turn food over.
4.Spaghetti (g)	
5.Potato(each 230g)	3. Voltage fluctuation may cause food not done well, in such case, adjust the cooking time manually.
6.Popcorn (99g)	
7.Pizza (g)	
8.Chicken (g)	4. For cake and popcorn, there is only one option.

# OTHER CONVENIENT FEATURE

## **CHILD PROOF LOCK**

The child proof lock prevents unsupervised operation by little children.

To set the child proof lock: Press CANCEL button for 3 seconds, then a beep will sound and the indicator light will turn on. In the lock state, all buttons are disabled.

To cancel the child proof lock: Press CANCEL button for 3 seconds, then a beep will sound and the indicator light will turn off.

## **TO STOP THE OVEN WHILE THE OVEN IS OPERATING**

1. Press CANCEL button. You can restart the oven by pressing START pad. Touch CANCEL button to erase all instructions.
2. Open the door. You can restart the oven by closing the door and pressing START pad.

NOTE: Oven stops operating when door is opened.

## **AUTOMATIC PROTECTION MECHANISM**

1. Digital tube has been shows "E 01" and had been "DE" alarm when the system into the super high temperature protection status. The system enters into normal standby mode when faults remove and press CANCEL button.
2. Digital tube has been shows "E 02" and had been "DE" alarm when the system enters into the super low temperature protection status. The system enters into normal standby mode when faults remove and press CANCEL button.
3. If the sensor is short circuited, the system enters protection mode with display of "E 03" which, when cleared, press CANCE to back into normal.

## **COOLING FEATURE**

The controlling system of the microwave oven has the feature of cooling. As for any cooking mode which cooking time above 2 minutes, after finishing cooking, the oven fan will work about 3 minutes automatically to cool the oven for prolonging the life of the oven.

## CLEANING AND CARE

1. Turn off the oven and remove the power plug from the wall socket before cleaning.
2. Keep the inside of the oven clean. When food splatters or spilled liquids adhere to oven walls, wipe them with a damp cloth. Mild detergent may be used if the oven gets very dirty. Avoid the use of spray and other harsh cleaners as they may stain, streak or dull the door surface.
3. The outside surfaces should be cleaned with a damp cloth. To prevent damage to the operating parts inside the oven, water should not be allowed to seep into the ventilation openings.
4. Wipe the door and window on both sides, as well as the door seals and adjacent parts frequently with a damp cloth to remove any spills or spatters. Do not use abrasive cleaner.
5. Do not allow the control panel to become wet. Clean with a soft, damp cloth. When cleaning the control panel, leave oven door open to prevent oven from accidentally turning on.
6. If steam accumulates inside or around the outside of the oven door, wipe with a soft cloth. This may occur when the microwave oven is operated under high humidity condition.
7. It is occasionally necessary to remove the glass tray for cleaning. Wash the tray in warm sudsy water or in a dishwasher.
8. The roller ring and oven floor should be cleaned regularly to avoid excessive noise. Simply wipe the bottom surface of the oven with mild detergent. The roller ring may be washed in mild sudsy water or dishwasher. When removing the roller ring from cavity floor for cleaning, be sure to replace in the proper position.
9. Remove odors from your oven by combining a cup of water with the juice and skin of one lemon in a deep microwaveable bowl, microwave for 5 minutes. Wipe thoroughly and dry with a soft cloth.
10. When it becomes necessary to replace the oven light, please consult a dealer to have it replaced.
11. The oven should be cleaned regularly and any food deposits removed. Failure to maintain the oven in a clean condition could lead to deterioration of the surface that could adversely affect the life of the appliance and possibly result in a hazardous situation.
12. Please do not dispose this appliance into the domestic rubbish bin, it should be disposed to the particular disposal center provided by the municipalities.
13. When the microwave oven with grill function is first used, it may produce slight smoke and smell. This is a normal phenomenon, because the oven is made of a steel plate coated with lubricating oil, and the new oven will produce fumes and odor generated by burning the lubricating oil. This phenomenon will disappear after a period of using.





## LIMITED TWO-YEAR WARRANTY MICROWAVE

THE SELLER NAMED BELOW MAKES THE FOLLOWING WARRANTY WITH RESPECT TO THE DOMETIC PRODUCT:

1. This warranty is made only to the first purchaser (hereinafter referred to as the "Original Purchaser") who acquires the product for his own use and is installed and operated within the continental United States and Canada.
2. This warranty will be in effect for two (2) years from the date of purchase by the original purchaser. It is suggested that the original purchaser retain a copy of the bill of sale as evidence of the date of purchase.
3. This warranty covers only specified parts, which shall be free from defects in material and workmanship under normal use. This warranty does not cover conditions unrelated to the material and workmanship of the product. Such unrelated conditions include, but are not limited to: (a) damage not reported within 7 days of ownership; (b) failure or damage caused by lightening or high voltage; (c) faulty installation and any damage resulting from such; (e) failure to follow Sellers instructions for use of this product; (f) any accident to, or misuse of any part of this product and any alteration by anyone other than the Seller or its authorized representative; (g) damage of failure caused by the installation of accessories not manufactured and marketed by the Seller; and (h) normal wear and product abuse.
4. The specified replacement parts covered by this warranty are listed in the corresponding model service replacement parts list.
5. In order to obtain the benefits of this warranty, return the product (microwave oven) to the Seller during the period that this warranty in effect. The Original Purchaser must pay all charges incurred in delivery of the product to the Seller. A copy of the dated bill of sale must accompany the returned microwave oven.
6. The Seller will examine any microwave oven returned in the manner described in paragraph 5. If it is found that the returned microwave oven is defective in material and workmanship, the Seller will repair or replace it without charge for material or labor. **Do not pay a Service Agency for Warranty repairs. Such payments will not be reimbursed.**
7. The Seller does not authorize any person or company to create any warranty obligations or liability on their behalf. This warranty is not extended by the length of time which you are deprived of the use of the product. Repairs and replacement parts or complete product provided under the terms of this warranty shall carry only the non-expired portion of this warranty.
8. In no event shall Seller be liable for incidental or consequential damages. This includes any damage to another product or products resulting from a defect. Some states do not allow the exclusion of incidental or consequential damages, so the limitation may not apply.
9. Any implied warranty, including the implied warranty of merchantability and fitness for any purpose, is limited to the duration of this limited warranty. Some states do not allow limitations on how long an implied warranty can last, so the above limitation may not apply.
10. THIS WARRANTY GIVES SPECIFIC LEGAL RIGHTS, YOU MAY ALSO HAVE OTHER RIGHTS WHICH VARY FROM STATE TO STATE. No action to enforce this warranty shall be commenced later

than ninety (90) days after the expiration of the warranty period. Claims must be submitted in writing to the Dometic Warranty Department for arbitration.

11. All products (except those specifically built for commercial use) are warranted only when installed in vehicles built to current edition R.V.I.A. A119-2 and C.R.V.A. Z-240 Standards.
12. The seller reserves the right to change the design of any product without notice and with no obligation to make corresponding changes in products previously manufactured.

**REVISION**

Form No. 3108605. 035 2/09

(Replaces 3108605. 027

(French 3108985. 031)

©2009 Dometic, LLC

LaGrange, In 46761

**Dometic, LLC**

Warranty Department

2320 Industrial Parkway

Elkhart, Indiana 46516

Phone: 574-294-2511

Fax: 574-389-3975